

Statiq.

Statiq is a smart public charging ecosystem. Statiq charging network gives access to use EV chargers at public places, shopping mall, parking area, fuel stations and on highways.

Users can locate and book EV chargers through our mobile app which also facilitates remote and seamless payment for the usage.

Statiq EV Charger

Statiq Smart EV charger is a 7.2kW type-2 AC charger.
Our charging stations include industry leading features at an affordable price.
It can be placed at your Home, Office , Shopping Malls, Restaurant parking
etc.



Features

Interactive Display

The LCD display provides live power usage, state information & quick access to settings

Universal

Based on the IEC Standards. Compatible with all modern vehicles.

Adjustable Current

Current is quickly adjustable on the display through the Statiq App.

Session Options

Charge to full, Charge for xxx Minutes (15 min increments) or Add xxx kWh (1kWh

increments)

Safety

All safety features required by IEC, UL and NEC are maintained

Portable

Compact & lightweight, could be installed in limited space.

Self Test

During power up & before each charge session, the charging station performs an extensive safety check.

Specifications

40A charging. Fully featured. Low price.

Safety

Power interlock - Charge handle is not energized until extensive self testing and negotiation with vehicle is complete

Pilot Signal - Capabilities of electrical circuit and state are communicated with the vehicle

Ground Monitoring - Charging station continuously monitors safety ground while charging.

Ground Fault Interrupt - Charging station monitors power leakage to ground, fault current 15 - 20ma.



Specifications

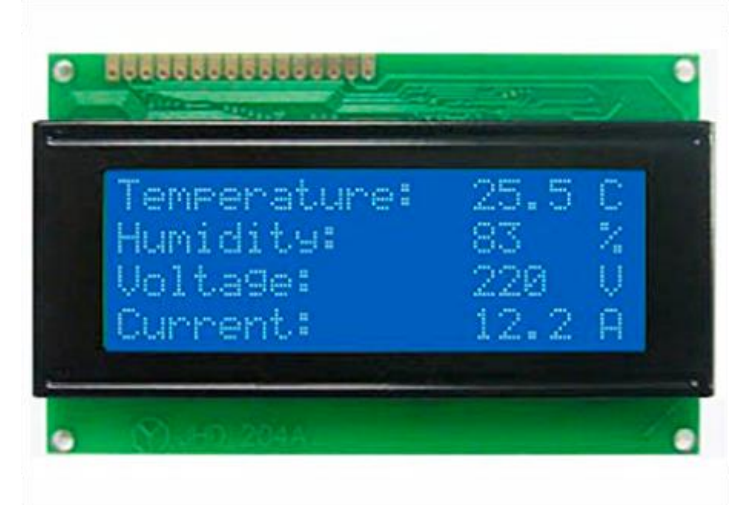
40A charging. Fully featured. Low price.

Display

State - Charging Station and EV State are clearly displayed.

Power - Real time Power information Current (Amps), Power Delivered for the current charge session (Watt Hours) & Total Lifetime Power (Kilowatt Hours)

Settings - Settings and Features can be easily adjusted through the app.



Specifications

40A charging. Fully featured. Low price.

Powerful Performance

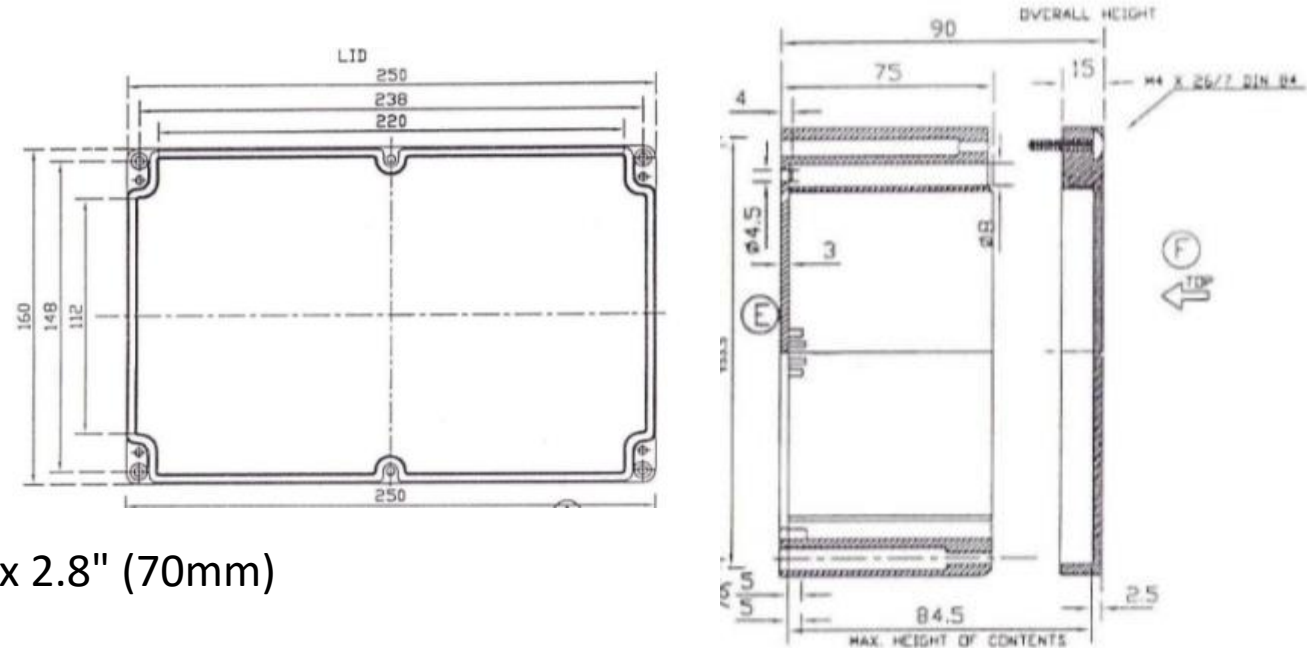
40A Charging - Requires 50A circuit

3 Year Warranty

Assembled in INDIA

Weight: 9.7lbs Size: 10" (260mm) x 5" (130mm) x 2.8" (70mm)

Charge Cable - IEC Type 2 (62196 -2)



Statiq Mobile App

Discover. Book. Pay

Statiq Mobile app helps the EV owner to discover nearest charging stations , book them remotely and pay for the usage

The app is available on Android. (Soon coming on iOS)

Choose a Service

Subscribe

Book your slot

Looks like you already have a booking

Start Charge Now

Fill in one of these with the vehical you want to charge!

Units (KW/hr)
The number of units you wants

OR

Percentage
Percentage you want to increase

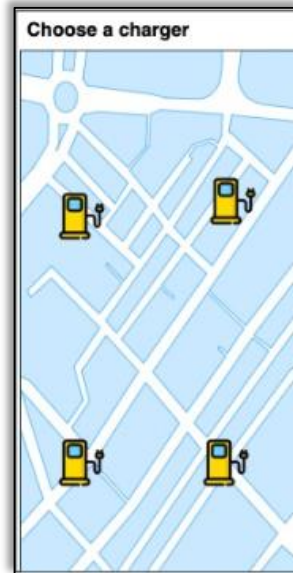
OR

Time (minutes)
Select Time

04-Jan-2020

Vehical

Calculate



9:55 AM

Select your time slot

0:0 - 0:30

0:30 - 1:0

1:0 - 1:30

1:30 - 2:0

2:0 - 2:30

2:30 - 3:0

3:0 - 3:30

3:30 - 4:0

4:0 - 4:30

4:30 - 5:0

CANCEL

Almost there!

Units 4.2

Time 0 hrs 30 min

Percentage 20%

Select your time slot

Use from my subscription

₹42

Pay Now

Statiq Back Office (CMS)

A complete solution for back office monitoring and control of charging stations

Dashboard

View data

Add Vehicle/charger

Logout

3 Transactions

2 Users

440 Revenue

Manage Chargers

Manage Users

Manage Vehicles

Total users target 78%

Total transactions target 56%

Users

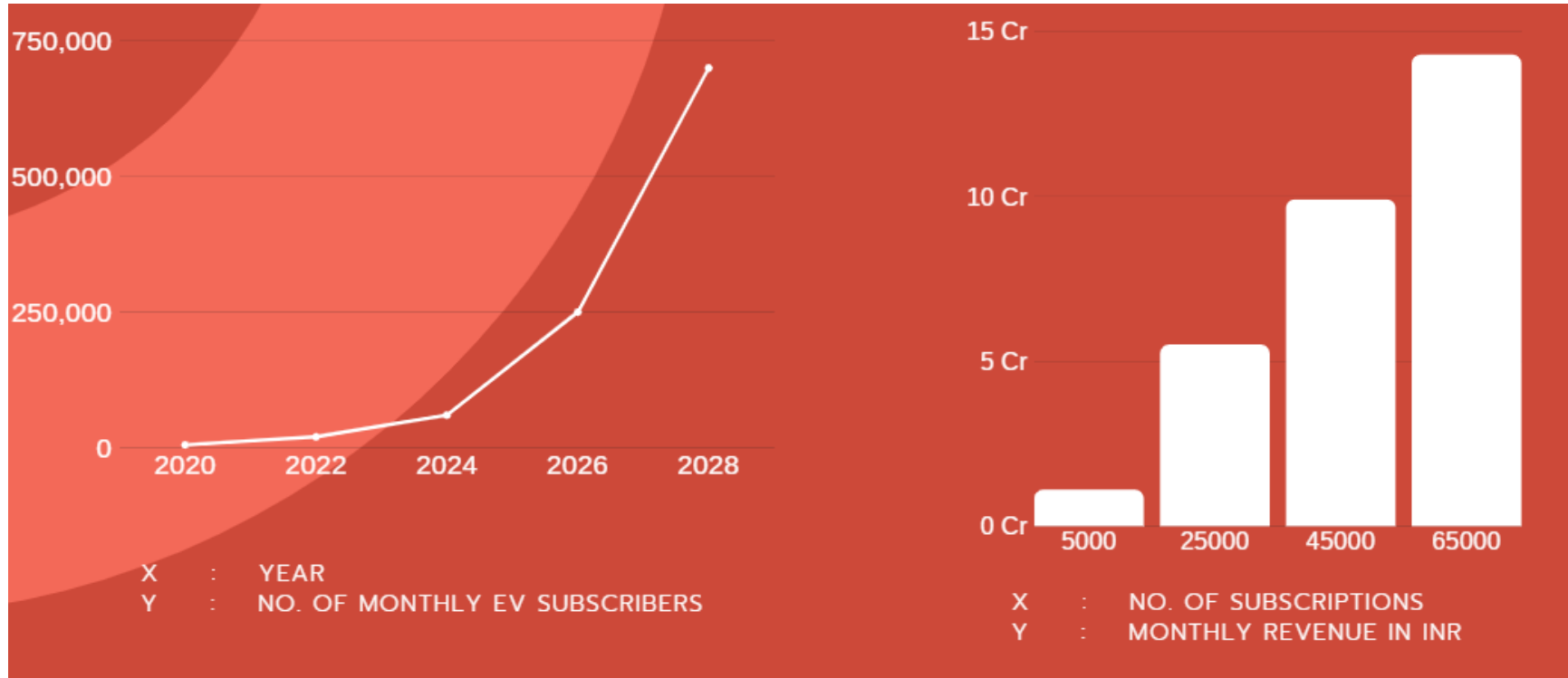
Show 10 entries Search:

Name	Email ID	Phone No.
Naresh	nareshpatil_21@yahoo.in	919860399550
Raghav	raghav.arora1605@gmail.com	919629342989

Financials

Currently at Pre-revenue stage

Projections



Let's Work Together !

Akshit Bansal (CEO , Co-founder)

9916883176

charge@statiq.in

www.statiq.in